

MEDISTEEL
Single roll toilet tissue dispenser / Surface mounted

AI0310C
Bright finish

AI0310CS
Satin finish

General Description

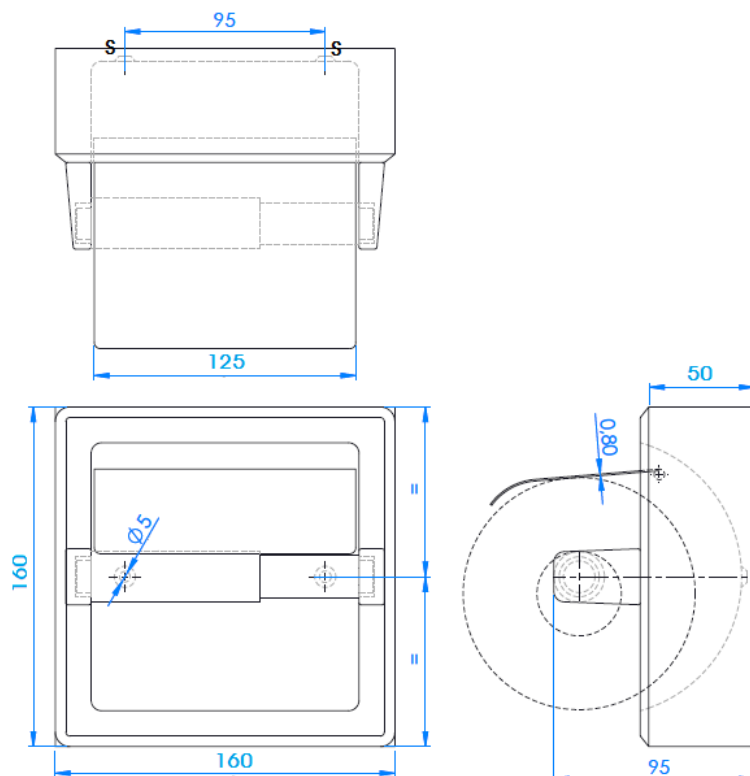
- Surface Mounted single roll toilet tissue dispenser with hood, bright or satin finished, made in stainless steel AISI 304.
- The stainless steel AISI 304 construction protects the product against rust and ensures quality and longevity.
- Chrome-plated plastic spindle holds rolls up to 130mm diameter.
- Model suitable for the hotel sector and for collectivities.

Components & materials

- **AI0310C:** AISI 304 stainless steel, bright finish.
- **AI0310CS:** AISI 304 stainless steel, satin finish.
- **HOUSING:** made in stainless steel AISI 304, 0.8 mm thick. Drawn, one-piece, seamless construction.
- **HOOD:** made in stainless steel AISI 304, 1.2 mm thick.
- **SPINDLE:** made in chrome-plated plastic equipped with an inner heavy-duty spring.
- Screws and plugs for installation to the wall are provided.

Technical Specifications

General dimensions	161 x 161 x 95 mm
Housing and hood thickness	1.2 mm
Toilet paper roll	Max. Ø130 mm

Dimensions

 Dimensions: $\pm 4\%$
MOUNTING

Mount unit on wall or toilet partition with two stainless steel screws at points indicated by an S. Mounting distance shall be approx. 760 mm from the ground to the top of the unit.